



**INSTRUCTIONS FOR REBUILDING BREWER MOTOR IN A  
CROWN SEVENTY TWO®, SERIES HBM-72 HOT BEVERAGE MERCHANDISER**

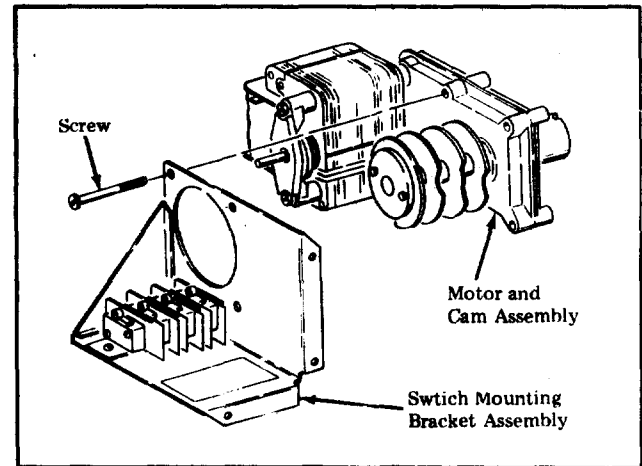
The Brewer Motor Rebuilding Kit, part number 610-4488, consists of the following items:

Part Number	Description	Quantity
610-4491	Spring	1
610-4490	Bearing Bracket	1
610-4489	Rotor And Brake Assembly	1
610-4481	Brewer Motor Spacer (gray)	1
610-4486	Brew Motor Spacer (pink)	1
610-4492	Installation Instructions	1
	* * *	

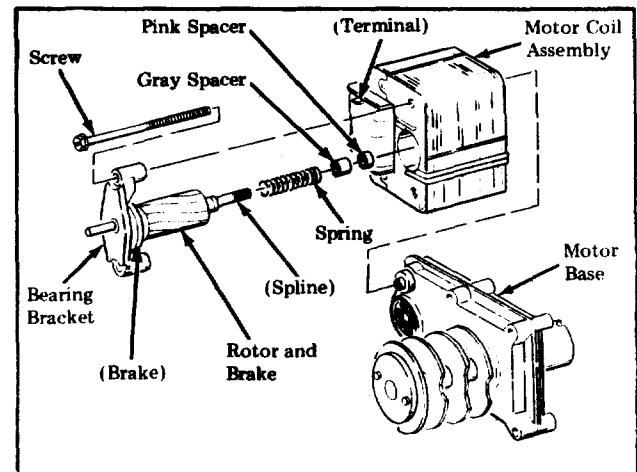
The Brewer Motor Rebuilding Kit can be installed in any National Vendors, Crown Seventy Two®, Series HBM-72, Hot Beverage Merchandiser. This Kit is a replacement for all original equipment Brewer Motors. Read these instructions carefully and thoroughly before proceeding with the actual work of installation. Retain instructions for part number and replacement information.

**TO INSTALL THE KIT:**

1. Open the Cabinet Door.
2. Place the Main Switch in the "OFF" position.
3. Remove the Cup Delivery Compartment to make Motor more accessible.
4. Disconnect wires to Motor Terminals.
5. Remove Control Switch Cover.
6. Remove Switch Mounting Bracket Assembly. See Figure 1.
7. Remove Motor and Cam Assembly from Brewer.
8. Remove 2-Screws which attach Bearing Bracket and Coil to Motor Base (use 5/16" wrench or screwdriver). See Figure 2.
9. Remove Motor Coil Assembly from Motor Base.
10. Remove the Rotor And Brake Assembly, Spring and two Spacers from the Motor Coil.
11. Place replacement Spring 610-4491, gray Spacer 610-4481, and pink Spacer 610-4486 on the splined end of the Shaft on replacement Rotor And Brake Assembly 610-4489.
12. Place the Assembly created in step 11 in the Motor Coil Assembly. The Brake end of the Assembly is to be on the terminal side of the Coil Assembly.
13. Align the spline of the Rotor And Brake Assembly Shaft with the Rotor Shaft hole in the Motor Base. Be sure the Shaft goes completely through the Spring center and not through one of the coils of the Spring.
14. Push the Rotor Shaft into the hole. Rotate the Shaft with an alternating clockwise/counter-clockwise motion until the Shaft is completely seated. Be sure the Spring stays properly in place on the Shaft.
15. Set the Motor Coil Assembly firmly on the two bosses on the Motor Base.



**Figure 1 - Switch Mounting Bracket Assembly**



**Figure 2 - Brewer Motor And Cam Assembly**

16. Install the replacement Bearing Bracket 610-4490 on the Motor Coil.
17. Attach the Bearing Bracket with the two Screws removed in step 8. Tighten the Screws alternately until both are finger tight only.
18. Tap the Motor Coil with a plastic hammer to insure proper alignment and freedom of Rotor movement.
19. Tighten the Screws alternately with a screwdriver or wrench until tight.
20. Test for freedom of Rotor movement. Repeat step 18 if necessary.
21. Reverse steps 2 through 6.
22. Depress Brewer Test Button. Be sure that Brewer Mechanism is properly timed before placing the Mechanism in service.
23. Close the Cabinet Door.